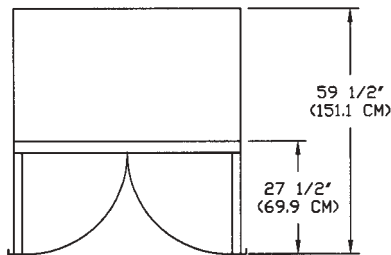
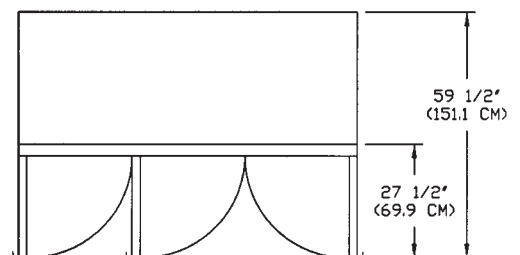


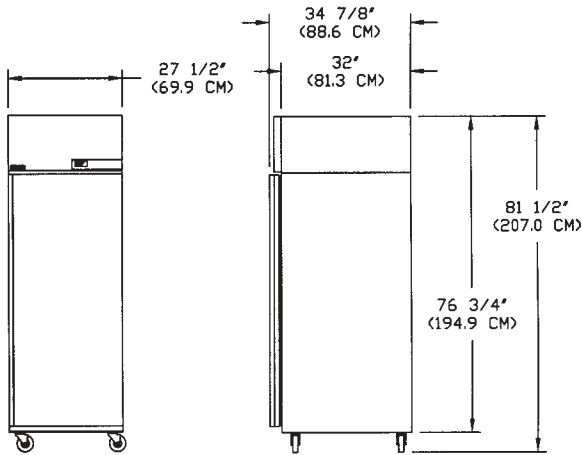
NSPF211



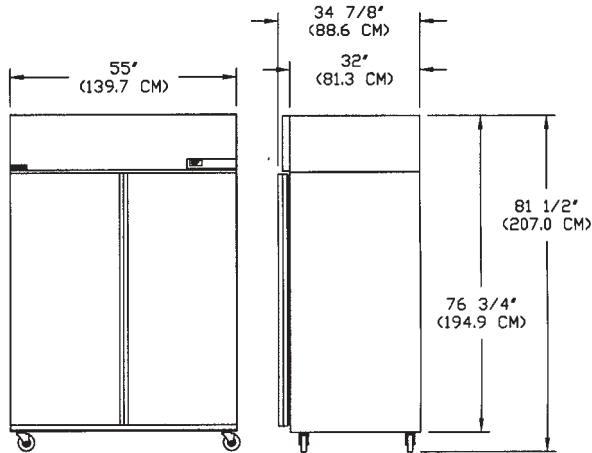
NSPF482



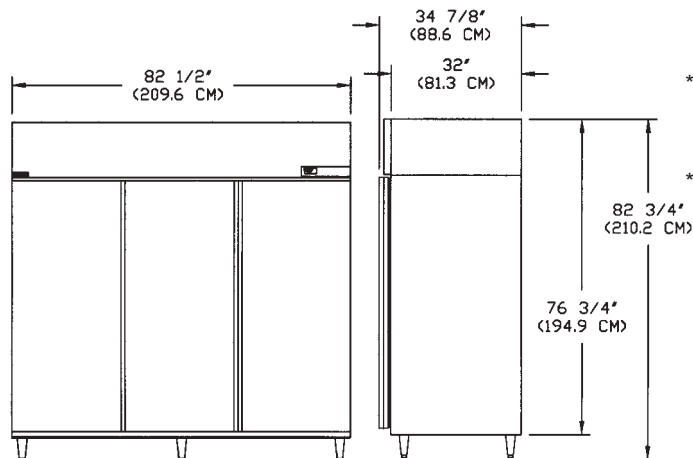
NSPF763



NSPF211



NSPF482



NSPF763

SPECIFICATIONS

	NSPF211	NSPF482	NSPF763
<i>Crated Height</i>	81" (205.7 cm)	81" (205.7 cm)	81" (205.7 cm)
<i>Crated Width</i>	31" (78.7 cm)	59" (149.9 cm)	86" (218.4 cm)
<i>Crated Depth</i>	38" (96.5 cm)	38" (96.5 cm)	38" (96.5 cm)
<i>Crated Weight (lbs) (kg)</i>	375 (170.1 kg)	660 (299.3 kg)	805 (365.1 kg)
<i>Interior Height</i>	59" (149.9 cm)	59" (149.9 cm)	59" (149.9 cm)
<i>Interior Width</i>	23-1/2" (59.7 cm)	51" (129.5 cm)	78-1/2" (199.4 cm)
<i>Interior Depth</i>	28" (71.1 cm)	28" (71.1 cm)	28" (71.1 cm)
<i>Overall Height*</i>	81-1/2" (207 cm)	81-1/2" (207 cm)	82-3/4" (210.2 cm)
<i>Overall Width</i>	27-1/2" (69.9 cm)	55" (139.7 cm)	82-1/2" (209.6 cm)
<i>Overall Depth</i>	34-7/8" (88.6 cm)	34-7/8" (88.6 cm)	34-7/8" (88.6 cm)
<i>Gross Cubage (ft.³) (m³)</i>	22.5 (0.64)	48.8 (1.38)	75.0 (2.12)
<i>Shelf Area (sq. ft.)</i>	16.6	36.1	55.6
<i>Number of Shelves</i>	3	6	9
<i>Number of Casters</i>	4	4	6**
<i>Number of Legs</i>	4 (optional)	4 (optional)	6 (standard)
<i>Condensing Unit Size</i>	1/2	3/4	3/4
<i>Refrigerant</i>	R-404A	R-404A	R-404A
<i>Electrical Characteristics</i>	115/60/1	115/60/1	115/208-230/60/1
<i>Cord & Plug Furnished</i>	Yes	Yes	No
<i>Maximum Fuse Size</i>	15	20	15
<i>NEMA Plug Configuration</i>	5-15P	5-20P	N/A**
<i>Total Amp Draw</i>	12	14	11

Specifications subject to change without notice.

* The overall heights shown in the table and drawings are with casters (1 & 2 door units). With 6" legs, the overall height is 82-3/4" (210.2 cm).

** This model is available with a cord connection and casters. Consult the Factory.

SMALL BUSINESS & WOMAN OWNED



Revision Date: 5/00
 NOR-LAKE, INC. 2000
 Printed in the U.S.A.
 Part Number: 073276