



## Cleanroom Certifier Components



**Adjustable Socket Wrench  
&  
The Ultimate Puller**

**\$35.95 (Wrench) & 49.95  
(Puller)**



**RTV  
White, Clear, & Red**

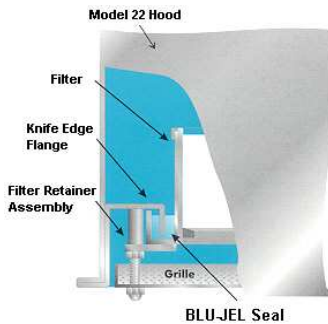
**\$4.35 P/T, \$52.20 P/CS**

**Additional colors and prices  
available. Please call for  
details.**



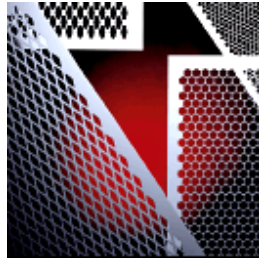
**Foam  
60PPI**

**\$.20 P/FT**



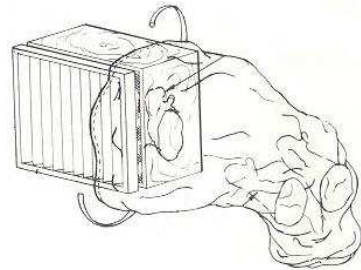
**Die Electric Gel  
2lb or 80lb Kits**

**\$57.95 P/KIT**



**Clear Anodized Aluminum  
Screens (Flat)  
30" X 30" – 30" X 48"**

**\$48.60 (30"x30"), \$64.80  
(30"x48")**



**HEPA Change-out Bag  
For  
Bag-in/Bag-out-HSG**

**\$90.00**

 <p><b>55 Gallon Drum Liners (HEPA Disposable)</b></p> <p><b>\$178.00 P/BOX</b></p>	 <p><b>Tyvek Suits Lab Coats &amp; Gloves</b></p> <p><b>Pricing Varies</b></p>	 <p><b>Black Neoprene Gasket</b></p> <p><b>\$.25 P/FT or \$.45 P/FT</b></p>
 <p><b>2" X 60 Yds Duct Tape</b></p> <p><b>\$4.95 P/ROLL \$118.80 P/CS</b></p>	 <p><b>Wizard Smoke Stick</b></p> <p><b>\$45.00 P/STICK</b></p>	 <p><b>HI-VAC Grease 8lb Tub</b></p> <p><b>\$178.00 P/TUB</b></p>

**Shop All Products Now!**

<http://www.hepafilters.com/products.php>

**Cleanroom Filters & Supplies  
177 North Commerce Way  
Suite 100  
Bethlehem, PA 18017**

**Toll-Free: 800-334-9142**

**Local: 610-289-2660**

**Fax: 610-289-2666**