

NOR-LAKE SCIENTIFIC

CHROMATOGRAPHY REFRIGERATOR

Designed to meet the demanding requirements of scientific and laboratory applications. Special cabinet incorporates industrial quality with a heavy duty refrigeration system to maintain your valuable products.

Standard Product Features:

- Adjustable control range from 2°C to 10°C. Factory preset to 4°C
- Digital LED microprocessor control with warm and cold audible and visual alarms with remote alarm contacts
- Exterior front, sides and back are painted white. Exterior top and bottom are galvanized steel
- Interior is painted white
- The complete cabinet is foamed-in-place with high density polyurethane foam insulation
- Heavy duty door with pivot hinges and pull handles
- Magnetic door gaskets
- 4 casters on one and two door models (2 locking), 6 casters (3 locking) on three door model
- 3 half size cantilevered solid stainless steel shelves per unit
- 3 epoxy coated wire shelves per additional door section on two and three door models
- Two access ports 2" sleeves with covers
- Full size, double pane glass doors with anit-condensate heater wires
- Key door locks
- Interior light, switch activated
- Internal electrical outlet
- Complete top mounted refrigeration system, maximizing the storage area
- Forced air flow refrigerating optimizes air flow and temperature uniformity
- Air-cooled condensing unit
- Automatic defrost
- Warranties: (USA and Canada) 18 months parts and labor. 5 year compressor. 18 months parts (International)
- UL, C-UL and CE Mark, CEC California Energy Commission

Optional Features:

- Extra shelves
- Reverse hinge doors
- Legs in lieu of casters
- Solid doors
- 4-20 ma output
- Stainless steel exterior
- Stainless steel interior
- Temperature recorder
- Chart paper



NSCR331WWG/

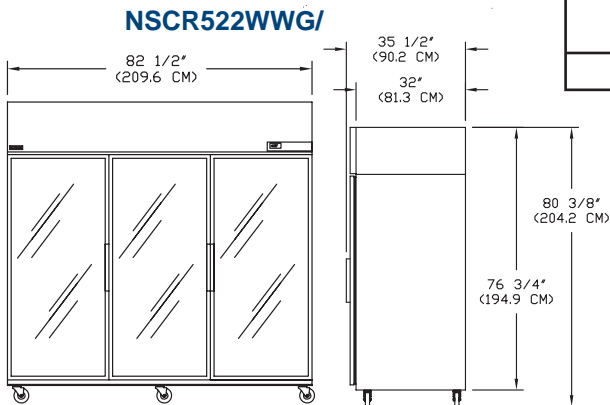
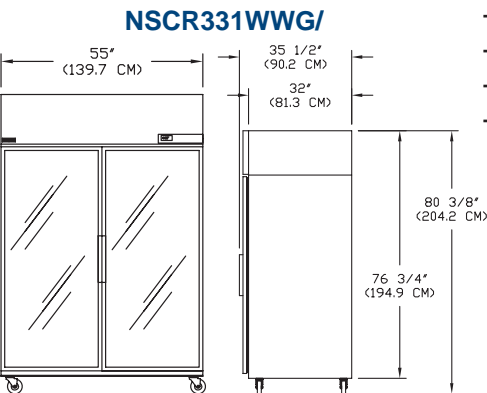
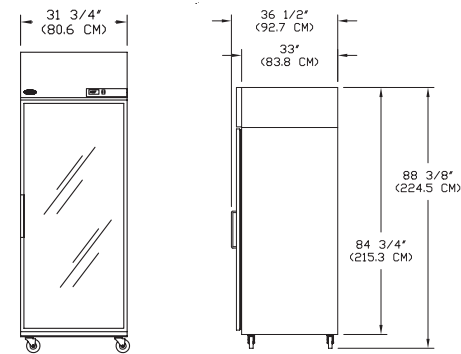
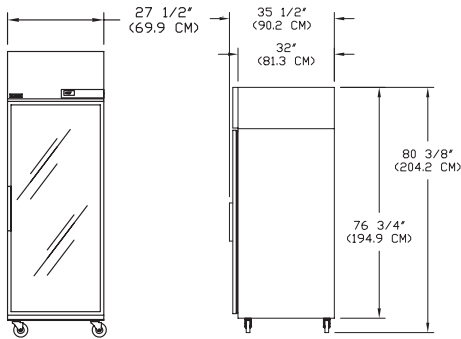
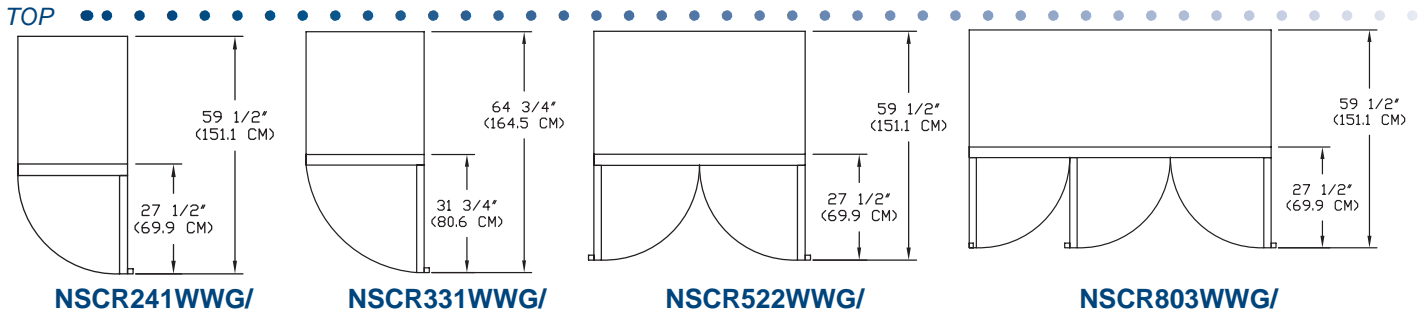


NSCR241WWG/ NSCR331WWG/ NSCR522WWG/ NSCR803WWG/



Nor-Lake, Inc.
Registered to ISO 9001:2000
File No. A3204

NOR-LAKE SCIENTIFIC
A Division of
NOR-LAKE, INCORPORATED
727 Second Street
P.O. Box 248
Hudson, Wisconsin 54016
800-477-5253
715-386-2323
800-388-5253 PARTS
715-386-4290 FAX
www.norlake.com



SPECIFICATIONS

Models	NSCR241WWG/0	NSCR331WWG/0	NSCR522WWG/0	NSCR803WWG/8
Models	NSCR241WWG/5	NSCR331WWG/5	NSCR522WWG/5	NSCR803WWG/5
Crated Height	81" (205.7 cm)	91-3/4" (235 cm)	81" (205.7 cm)	81" (205.7 cm)
Crated Width	31" (78.7 cm)	35-1/4" (89.5 cm)	59" (149.9 cm)	86" (218.4 cm)
Crated Depth	38" (96.5 cm)	39" (99.1 cm)	38" (96.5 cm)	38" (96.5 cm)
Crated Weight (lbs) (kg)	365 (165.5 kg)	625 (284 kg)	545 (247.2 kg)	750 (340.1 kg)
Interior Height	59" (149.9 cm)	67" (170.2 cm)	59" (149.9 cm)	59" (149.9 cm)
Interior Width	23-1/2" (59.7 cm)	27-3/4" (70.4 cm)	51" (129.5 cm)	78-1/2" (199.4 cm)
Interior Depth	30" (76.2 cm)	31" (78.7 cm)	30" (76.2 cm)	30" (76.2 cm)
Overall Height	80-3/8" (204.2 cm)	88 3/8" (224.7 cm)	80-3/8" (204.2 cm)	80-3/8" (204.2 cm)
Overall Width	27-1/2" (69.9 cm)	31-3/4" (80.6 cm)	55" (139.7 cm)	82-1/2" (209.6 cm)
Overall Depth	35-1/2" (90.2 cm)	36-1/2" (92.7 cm)	35-1/2" (90.2 cm)	35-1/2" (90.2 cm)
Gross Cubage (ft.3) (m3)	24.0 (0.68)	33 (0.93)	52.0 (1.47)	80.0 (2.26)
Epoxy Coated Shelves	Optional	Optional	3	6
Number of Solid Stainless Steel Shelves halfsize	3	3	3	3
Number of Casters	4 (2 Locking)	4 (2 Locking)	4 (2 Locking)	6 (3 Locking)
Condensing Unit Size	1/4	1/3	1/2	3/4
Refrigerant	R134A	R134A	R134A	R134A
Maximum Fuse Size	15	15	15	15
Total Amp Draw /0, /8	8.6	8.6	10.7	8.3
Total Amp Draw /5	3.2	3.2	4.2	8.1

Specifications subject to change without notice.

Voltage Model Suffix Code	Voltage Description	NEMA Plug	NEMA Receptacle
/0	115V, 1PH, 60HZ	5-15P	5-15R
/5	230V, 1PH, 50HZ	Power Inlet (IEC 60320) Module	Cord Supplied Locally
/8	115/208-230V/1PH60HZ	L14-20P	L-14-20R



Revision Date: 12/06
 © 2006 NOR-LAKE, INC.
 Printed in the U.S.A.
 Part Number: 077435



FRONT

SIDE